

December 2013

## 1301 Series High-Pressure Regulators



### WARNING

Failure to follow these instructions or to properly install and maintain this equipment could result in an explosion, fire and/or chemical contamination causing property damage and personal injury or death.

Fisher® regulators must be installed, operated, and maintained in accordance with federal, state and local codes, rules and regulations, and Fisher instructions.

If the regulator vents gas or a leak develops in the system, service to the unit may be required. Failure to correct trouble could result in a hazardous condition.

Installation, operation, and maintenance procedures performed by unqualified personnel may result in improper adjustment and unsafe operation. Either condition may result in equipment damage or personal injury. Use qualified personnel when installing, operating, and maintaining the 1301 Series high-pressure regulator.



P1025

Figure 1. Type 1301F High-Pressure Regulator

## Introduction

### Scope of the Manual

This Instruction Manual provides instructions for the installation, adjustment, maintenance, and parts ordering of the Types 1301F and 1301G high-pressure regulators.

### Product Description

Types 1301F and 1301G regulators are direct-operated, high-pressure regulators, which can be used where high-pressure gas must be reduced for use as pilot

supply pressure in pilot-operated regulators or as loading pressure in pressure-loaded regulators.

Types 1301F and 1301G regulators can also be used in many other applications due to their rugged design as high-pressure reducing regulators for various fluids such as air, gas, water, and other liquids.

The Type 1301F can handle outlet pressures from 10 to 225 psig / 0.69 to 15.5 bar in three ranges and the Type 1301G can handle outlet pressures from 200 to 500 psig / 13.8 to 34.5 bar in one range.



[www.fisherregulators.com](http://www.fisherregulators.com)



# Types 1301F and 1301G

## Specifications

Specifications section lists the specifications for Types 1301F and 1301G high-pressure regulators. The maximum outlet pressure for a given regulator as it comes from the factory is stamped on the regulator nameplate.

### Available Configurations

**Type 1301F:** Direct-operated, high-pressure reducing regulator for inlet pressures to 6000 psig / 414 bar and outlet pressure ranges from 10 to 225 psig / 0.69 to 15.5 bar in three ranges

**Type 1301G:** Direct-operated, high-pressure reducing regulator for inlet pressures to 6000 psig / 414 bar and an outlet pressure range of 200 to 500 psig / 13.8 to 34.5 bar

### Body Size and End Connection Style

1/4 NPT (one inlet and two or three outlet connections), CL300 RF, CL600 RF, and CL1500 RF; or PN 25 RF (all flanges are 125 RMS)

### Maximum Allowable Inlet Pressure<sup>(1)</sup>

#### Brass Body:

##### Air and Gas:

6000 psig / 414 bar at or below 200°F / 93°C and  
1000 psig / 69.0 bar above 200°F / 93°C

##### Liquid:

Polytetrafluoroethylene (PTFE) Disk:

1000 psig / 69.0 bar

Nylon (PA) Disk:

Water: 1000 psig / 69.0 bar

Other Liquids: 2000 psig / 138 bar

#### Stainless Body:

Air and Gas: 6000 psig / 414 bar

##### Liquid:

Polytetrafluoroethylene (PTFE) Disk:

1000 psig / 69.0 bar

Nylon (PA) Disk:

Water: 1000 psig / 69.0 bar

Other Liquids: 2000 psig / 138 bar

### Outlet Pressure Ranges

See Table 1

### Maximum Emergency Outlet Pressure<sup>(1)</sup>

**Type 1301F:** 250 psig / 17.2 bar

**Type 1301G:** 550 psig / 37.9 bar

### Wide-Open Flow Coefficients for Relief Valve Sizing

$C_g$ : 5.0

$C_v$ : 0.13

$C_1$ : 38.5

### IEC Sizing Coefficients

$X_r$ : 0.938

$F_D$ : 0.50

$F_L$ : 0.85

### Recovery Coefficient

$K_m$ : 0.72

### Material Temperature Capabilities<sup>(1)</sup>

**Nylon (PA) Valve Disk and**

**Neoprene (CR) Gaskets:**

-20 to 180°F / -29 to 82°C

**PTFE Valve Disk and Fluorocarbon (FKM)**

**Gaskets:** -20 to 400°F / -29 to 204°C<sup>(2)</sup>

**PTFE Valve Disk and Ethylenepropylene (EPDM)**

**Gaskets:** -40 to 300°F / -40 to 149°C

### Low Temperature Service

**Service to -65°F / -54°C** is available with low temperature bolting and special low temperature Nitrile (NBR) O-rings to replace the gaskets.

**Service to -80°F / -62°C** is available with low temperature bolting and special low temperature Fluorosilicone (FVQM) O-rings to replace the gaskets.

### Pressure Registration

Internal

### Orifice Size

5/64 inch / 2.0 mm

### Spring Case Vents

**Type 1301F Brass Spring Case:**

Four 5/32-inch / 4.0 mm holes

**Type 1301F Stainless Steel Spring Case:**

One 1/4 NPT connection

**Type 1301G Spring Case:**

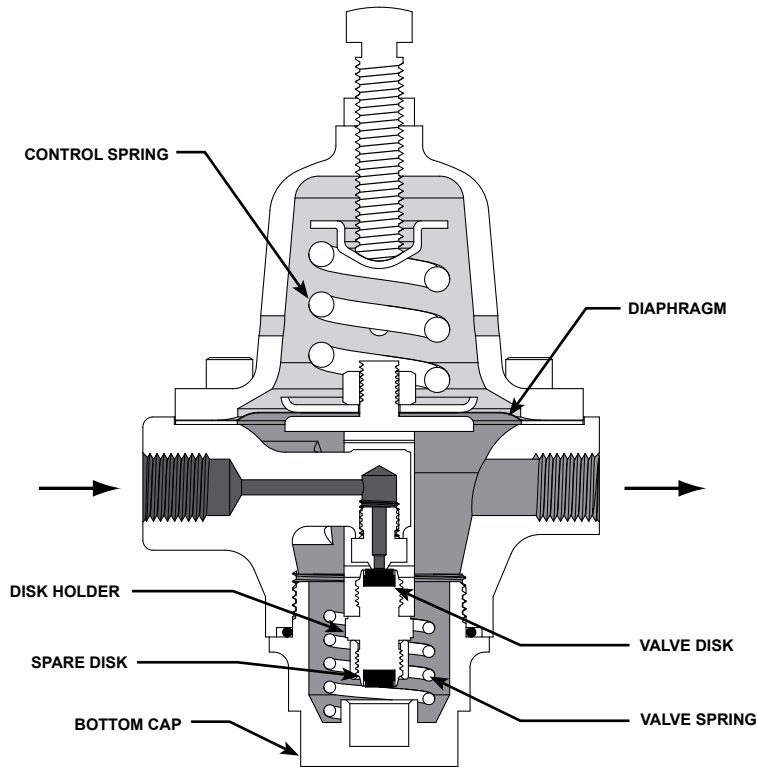
One 1/8 NPT connection with screen

### Approximate Weight

8 pounds / 4 kg

1. The pressure/temperature limits in this Instruction Manual and any applicable standard or code limitation should not be exceeded.  
2. Fluorocarbon (FKM) is limited to 180°F / 82°C hot water.

# Types 1301F and 1301G



M1015

INLET PRESSURE  
 OUTLET PRESSURE  
 ATMOSPHERIC PRESSURE

**Figure 2.** Type 1301F Operational Schematic

**Table 1.** Outlet Pressure Ranges

TYPE	OUTLET PRESSURE RANGES <sup>(1)</sup>		SPRING COLOR	SPRING PART NUMBER	SPRING WIRE DIAMETER		SPRING FREE LENGTH	
	psig	bar			Inch	mm	Inch	mm
1301F	10 to 75	0.69 to 5.2	Blue	1D387227022	0.200	5.08	1.69	42.9
	50 to 150	3.4 to 10.3	Silver	1B788527022	0.225	5.72		
	100 to 225	6.9 to 15.5	Red	1D465127142	0.243	6.17		
1301G	200 to 500	13.8 to 34.5	Silver	1K156027142	0.331	8.41	0.88	22.4

1. All springs can be backed off to 0 psig / 0 bar.

## Principle of Operation

The 1301 Series regulators are direct-operated. Downstream pressure is registered internally through the body to the underside of the diaphragm. When downstream pressure is at or above set pressure, the disk is held against the orifice and there is no flow through the regulator. When demand increases, downstream pressure decreases slightly allowing the

regulator spring to extend, moving the yoke and disk assembly down and away from the orifice. This allows flow through the body to the downstream system. As the downstream pressure reaches its setpoint, it starts to overcome the spring force, which is sensed by the diaphragm, moving the yoke and disk assembly up near its orifice, restricting flow across the regulator.

# Types 1301F and 1301G

---

## Installation



**Overpressuring a regulator or associated equipment may cause leakage, part damage, or personal injury due to bursting of pressure containing parts or explosion of accumulated gas. Do not install a regulator where service conditions can exceed the specifications listed on the Specifications section, or any applicable local, state or federal codes and regulations.**

Use qualified personnel when installing, operating, and maintaining these regulators. Make sure that there is no damage or foreign material in the regulator and that all tubing and piping are clean and unobstructed. The regulator may be installed in any position. Apply pipe compound to the pipeline threads. Connect inlet piping or tubing to the 1/4 NPT connection marked "In" and outlet piping or tubing to one of the 1/4 NPT connections marked "Out". Install a pressure gauge or pipe plug in the unused outlet connections.

If continuous operation of the system is required during inspection or maintenance, install a three-valve bypass around the regulator.



**A regulator may vent some gas to the atmosphere. In hazardous gas service, vented gas may accumulate, causing personal injury or equipment damage due to fire or explosion. Vent a regulator in hazardous gas service to a remote, safe location.**

The optional stainless steel spring case of the Type 1301F regulator has one 1/4 NPT internal connection. The Type 1301G regulator spring case has one 1/8 NPT internal connection with a screen. To remotely vent the spring case, remove the screen, if present, and connect 1/4 or 1/8 NPT piping or tubing to the spring case connection. The piping or tubing should vent the spring case to a safe location, have as few bends as possible, and have a screened vent on its exhaust end.

Each regulator is factory-set for the pressure setting specified on the order. If no setting is specified, outlet

pressure is factory-set at the midpoint of the regulator spring range. If pressure adjustment is necessary, refer to the Startup section. In all cases, check the spring setting to make sure it is correct for the application.

## Overpressure Protection

The 1301 Series regulators have an outlet pressure rating lower than their inlet pressure rating. If actual inlet pressure can exceed the outlet pressure rating, outlet overpressure protection is necessary. However, overpressuring any portion of the regulators beyond the limits in Specifications section may cause leakage, damage to regulator parts, or personal injury due to bursting of pressure-containing parts.

Some type of external overpressure protection should be provided if inlet pressure will be high enough to damage downstream equipment. Common methods of external overpressure protection include relief valves, monitoring regulators, shutoff devices, and series regulation.

If the regulator is exposed to an overpressure condition, it should be inspected for any damage that may have occurred. Regulator operation below these limits does not preclude the possibility of damage from external sources or from debris in the pipeline.

## Startup

With installation completed and downstream equipment adjusted, slowly open the upstream and downstream block valves while using pressure gauges to monitor pressure.

If adjustment is necessary, loosen the locknut (key 18, Figures 3 and 4), and turn the adjusting screw (key 15, Figures 3 and 4) clockwise to increase the set pressure or counterclockwise to decrease the set pressure. Monitor pressure with gauges during adjustment. When adjustment is complete, tighten the locknut. If the desired outlet pressure is not within the range of the regulator spring, install a spring with a desired range according to the Maintenance section.

## Shutdown

First, close the upstream shutoff valve, and then, close the downstream shutoff valve. Next, open the vent valve between the regulator and the downstream shutoff valve and open the vent valve between the regulator and the upstream shutoff valve. If vent valves are not installed, safely bleed off both inlet and outlet pressures and check that the regulator contains no pressure.

## Maintenance

Regulator parts are subject to normal wear and must be inspected and replaced as necessary. The frequency of inspection and parts replacement depends on the severity of service conditions and the requirements of local, state, and federal rules and regulations.

Instructions are given below for disassembly and assembly of parts.



### WARNING

**To avoid personal injury or equipment damage from sudden release of pressure or explosion of accumulated gas, do not attempt any maintenance or disassembly without first isolating the regulator from system pressure and relieving all internal pressure from the regulator.**

## Disassembly

The following procedure describes how to completely disassemble the regulator. When part replacement or inspection is required, complete only those steps necessary to accomplish the job. Key numbers referenced are shown in Figure 3 for the Type 1301F regulator and in Figure 4 for the Type 1301G regulator unless otherwise indicated.

1. Loosen the locknut (key 18).
2. Turn the adjusting screw (key 15) counterclockwise to remove spring compression.
3. Remove the bottom cap (key 3), bottom cap O-ring (key 14), and spring (key 10).
4. Unthread the valve disk assembly (key 6) from the yoke (key 4).
5. Remove the valve disk collar (key 22) from the valve disk assembly.
6. Remove the spring case cap screws (key 16), and separate the spring case (key 2) from the body (key 1).
7. Remove the upper spring seat and spring (keys 9 and 11).
8. Refer to Figure 5. Unscrew the diaphragm locknut (key 19), and remove the diaphragm plate (key 8), the two diaphragms (key 7), and the diaphragm plate gasket (key 13).

9. Remove the screws (key 17) from the yoke, and take the lower and upper halves of the yoke out of the body. The yoke halves are a matched set and need to be kept together.
10. Unscrew the orifice (key 5). Examine seating edge of orifice. Replace with a new part if worn or nicked.

## Assembly

This procedure assumes that the regulator was completely disassembled. If not, start these instructions at the appropriate step. Key numbers used are shown in Figure 3 for the Type 1301F regulator and in Figure 4 for the Type 1301G regulator unless otherwise indicated.

1. Screw the orifice (key 5) into the regulator.
2. Insert both halves of the yoke (key 4) into the regulator, and fasten them together with the screws (key 17). The yoke halves are a matched set and need to be kept together.
3. The valve disk assembly (key 6) has two valve disks, one on each end. Inspect both valve disks, and select the one to be used. Thread the valve disk assembly into the yoke so that the disk to be used is positioned against the orifice. Thread the valve disk collar (key 22) onto the exposed end of the valve disk assembly.
4. Place the bottom cap O-ring (key 14) on the bottom cap (key 3). Place the spring (key 10) in the bottom cap, and thread it into the regulator.
5. Put the body gasket (key 12) on the regulator body (key 1).
6. Refer to Figure 5. Place the diaphragm plate gasket (key 13), two diaphragms (key 7), and the diaphragm plate (key 8) on the yoke (key 4). Make sure the diaphragm convolutions are toward the spring, and secure the parts by threading the diaphragm locknut (key 19) onto the yoke.
7. Place the regulator spring (key 11) and upper spring seat (key 9) on the diaphragm plate.
8. Position the spring case (key 2) over the spring and on the regulator body. Orient the spring case vent or vents as necessary. Insert the cap screws (key 16), and tighten them only finger-tight.
9. Thread the adjusting screw and locknut (keys 15 and 18) into the spring case just far enough to slightly compress the spring. Securely tighten the cap screws (key 16), and refer to the Startup section for adjustment procedures.

# Types 1301F and 1301G

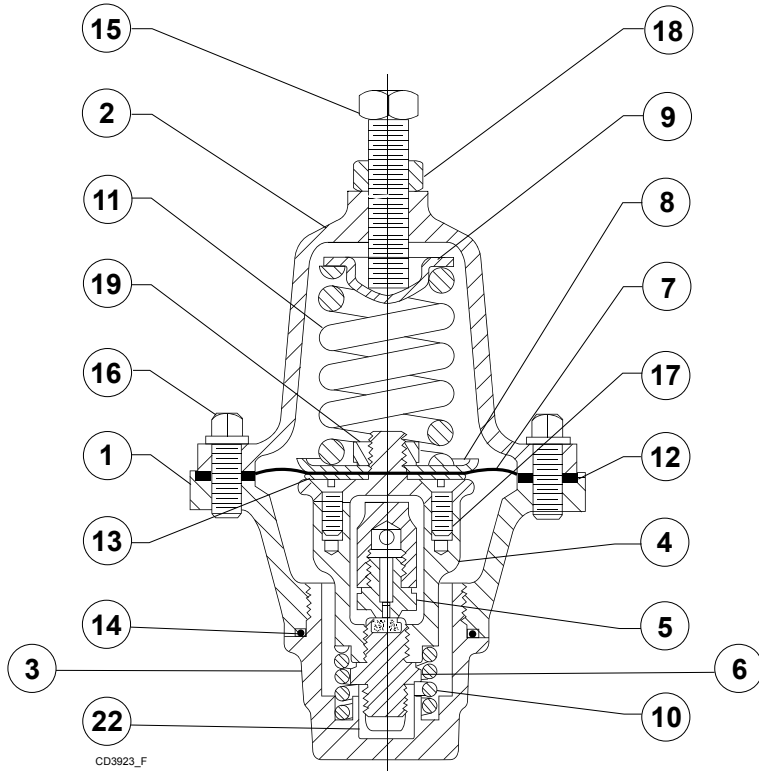


Figure 3. Type 1301F High-Pressure Regulator Assembly

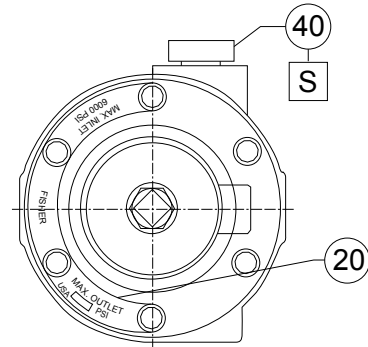


Figure 4. Type 1301G High-Pressure Regulator Assembly

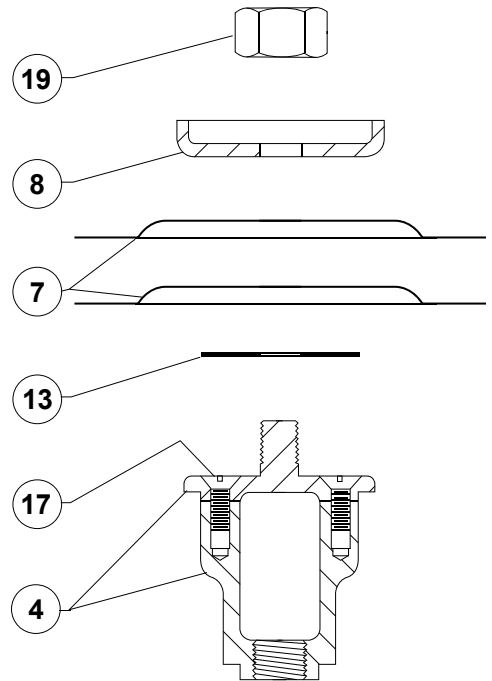
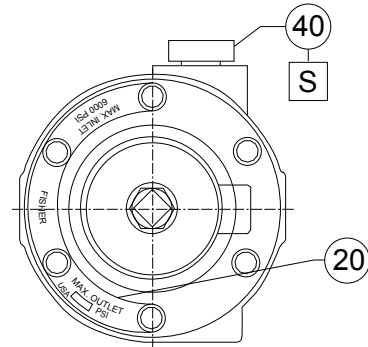


Figure 5. Exploded View of The Diaphragm Head Assembly and Yoke

# Types 1301F and 1301G

## Parts Ordering

When corresponding with your local Sales Office about this regulator, include the type number and all other pertinent information stamped on the bottom cap and on the nameplate. Specify the complete 11-character part number from the following parts list when ordering replacement parts.

## Parts List

### Note

**Parts marked NACE in this parts list are intended for corrosion-resistant service as detailed in the NACE International Standards MR0175/ ISO 15156 and/or MR0103.**

Key	Description	Part Number
	Parts Kits (Includes keys 5, 6, 7, 12, 13, and 14) Stainless steel kits include Fluorocarbon (FKM) gaskets. Brass kits include Neoprene (CR) gaskets.	
	Brass With Nylon (PA) Disk	R1301FX0012
	Stainless steel With Nylon (PA) Disk	R1301FX0022
	Brass With PTFE Disk	R1301FX0032
	Stainless steel With PTFE Disk	R1301FX0042
1	Body 1/4 NPT Connection Brass (2 outlet port)	39A1342X012
	Brass (3 outlet port)	ERAA00584A0
	CF8M Stainless steel (2 outlet port)	32B4291X022
	CF8M Stainless steel (3 outlet port)	ERAA00603A0
	1/4 x 1/2-inch Flanged Connection CF8M Stainless steel CL300 RF	14B1420X012
	CL600 RF	14B2059X012
	CL1500 RF	14B3375X012
	PN 25	14B3377X012
	1/4 x 1-inch Flanged Connection CF8M Stainless steel CL300 RF	14B3376X012
	CL600 RF	14B1386X012
	CL1500 RF	14B3370X012
	PN 25	14B3377X022
	Body (Cold Temperature) 1/4 NPT Connection CF8M Stainless steel (2 outlet port)	34B0527X012
	CF8M Stainless steel (3 outlet port)	ERAA00604A0
	NPS 1/4, NPT Connection	
2	Spring Case Type 1301F Brass	
	<b>Standard</b> or with T-Handle	1D383113012
	CF8M Stainless steel With 1/4 NPT vent connection	22B0753X012

Key	Description	Part Number
2	Spring Case (continued) Type 1301G 1/8 NPT vent connection <b>Standard</b> or with T-Handle Brass	2P195713022
	316 Stainless steel	21A6377X012
3	Bottom Cap Brass	1D468513012
	304 Stainless steel	1J919635072
	316 Stainless steel (NACE)	1J9196X0032
4	Yoke Brass	1D383313012
	316 Stainless steel (NACE)	1J925936042
5*	Orifice 303 Stainless steel	1D386535032
	316 Stainless steel (NACE)	1D3865X0032
6*	Valve Disk Assembly Brass/Nylon (PA)	1D4684000A2
	Brass/PTFE	1D4684X0012
	303 Stainless steel/Nylon (PA)	1D4684000C2
	303 Stainless steel/PTFE	1D4684000B2
	306 Stainless steel/PTFE (NACE)	1D4684X0082
7*	Diaphragm (2 required) 302 Stainless steel	1D387036012
	K500 Monel® (NACE)	1D3870X0012
8	Diaphragm Plate, Zinc-plated steel Type 1301F	1D387325072
	Type 1301G	1K155725072
9	Upper Spring Seat, Steel Type 1301F	1B798525062
	Type 1301G	1K155828982
10	Valve Spring 302 Stainless steel	1D387137022
	Inconel® X750 (NACE)	15A3522X012
11	Spring, Zinc-plated steel Type 1301F 0 to 75 psig / 0 to 5.2 bar, Blue	1D387227022
	0 to 150 psig / 0 to 10.3 bar, Silver	1B788527022
	0 to 225 psig / 0 to 15.5 bar, Red	1D465127142
	Type 1301G 200 to 500 psig / 13.8 to 34.5 bar, Silver	1K156027142
12*	Body Gasket Neoprene (CR)	1D372903012
	Fluorocarbon (FKM)	1D372904122
13*	Diaphragm Plate Gasket Neoprene (CR)	1D373003012
	Fluorocarbon (FKM)	1D373004122
14*	Bottom Cap O-ring Fluorocarbon (FKM)	1J926806382
	EPDM	1J9268X0022
	Nitrile (NBR) -65F	1J9268X0012
	Fluorosilicone (FVQM) -80F	ERAA03306A0
15	Adjusting Screw Type 1301F Steel ( <b>standard</b> )	1E639928992
	Handwheel, 416 Stainless steel	1N411435132
	T-handle, Steel	1F2236000A2
	Type 1301G Zinc-plated steel ( <b>standard</b> )	1K140624092
	T-handle, Steel	19A8060X012
16	Spring Case Cap Screw (6 required) Zinc-plated steel	1E8220X0012
	Stainless steel	1E8220X0212
	Stainless steel (For Type 1301G Cold Temperature)	1E8220X0022

\*Recommended spare part.  
Monel® and Inconel® are trademarks of Special Metals Corporation.

# Types 1301F and 1301G

## Parts List (continued)

Key	Description	Part Number	Key	Description	Part Number
17	Machine Screw (2 required) Steel, for brass yoke	1H526928982	29	Screw, Steel (Not shown) Type 1301F with handwheel and steel spring case only	1E985428982
	302 Stainless steel, for Stainless steel yoke	1J926938992	30	Washer, Steel (Not shown) Type 1301F with handwheel and steel spring case only	1L449428982
18	Locknut		32	Mounting Bracket (Not shown) Yoke mounted	22A6305X012
	Type 1301F			Casing mounted	1U9284X0012
	Brass (for <b>standard</b> spring case)	1A518014012	33	Bracket Cap Screw (2 required) Use with key 32 (Not shown)	1C631224052
	Steel (for Stainless steel spring case)	1A352224122	34	Bracket Mounting Washer Use with key 32 (Not shown)	T12861T0012
	Type 1301G		35	NACE Tag Use with NACE unit (Not shown)	-----
	Zinc-plated steel	1A354024122	36	Tag Wire Use with key 35 (Not shown)	-----
19	Diaphragm Locknut, Aluminum	1A309324122	38*	Body O-ring (Not shown) Use with -65°F / -54°C Cold Service Unit	1V3252X0012
21	Top Connector, 316 Stainless steel Use with Stainless steel yoke only	1J926035072		Use with -80°F / -62°C Cold Service Unit	ERAA03305A0
22	Valve Disk Collar		39*	Top Connector O-ring (Not shown) Use with -65°F / -54°C Cold Service Unit	14B8848X012
	304 Stainless steel	1D468635032		Use with -80°F / -62°C Cold Service Unit	ERAA03307A0
	316 Stainless steel (NACE)	1D4686X0012	40	Pipe Plug (Not shown) Brass	1C333528992
24	Handwheel (Not shown)			Stainless steel	1C3335X0012
	Type 1301F	1L217544992			
26	Vent Screen (Not shown)				
	Type 1301F, 18-8 Stainless steel	0L078343062			
	Type 1301G, 304 Stainless steel	0W086343062			
27	Mounting Post (3 required) (Not shown) Type 1301F T-handle panel mounting only, 316 Stainless steel	1F2449X0022			
	Type 1301G panel mounting only, Steel	1L2629X0012			
28	Mounting Screw, Brass (3 required) Use with key 27 (Not shown)	0V070414012			

\*Recommended spare part.

### Industrial Regulators

#### Emerson Process Management Regulator Technologies, Inc.

USA - Headquarters  
McKinney, Texas 75070 USA  
Tel: +1 800 558 5853  
Outside U.S. +1 972 548 3574

Asia-Pacific  
Shanghai 201206, China  
Tel: +86 21 2892 9000

Europe  
Bologna 40013, Italy  
Tel: +39 051 419 0611

Middle East and Africa  
Dubai, United Arab Emirates  
Tel: +011 971 4811 8100

### Natural Gas Technologies

#### Emerson Process Management Regulator Technologies, Inc.

USA - Headquarters  
McKinney, Texas 75070 USA  
Tel: +1 800 558 5853  
Outside U.S. +1 972 548 3574

Asia-Pacific  
Singapore 128461, Singapore  
Tel: +65 6770 8337

Europe  
Bologna 40013, Italy  
Tel: +39 051 419 0611  
Chartres 28008, France  
Tel: +33 2 37 33 47 00

Middle East and Africa  
Dubai, United Arab Emirates  
Tel: +011 971 4811 8100

### TESCOM

#### Emerson Process Management Tescom Corporation

USA - Headquarters  
Elk River, Minnesota 55330-2445, USA  
Tels: +1 763 241 3238  
+1 800 447 1250

Europe  
Selmsdorf 23923, Germany  
Tel: +49 38823 31 287

Asia-Pacific  
Shanghai 201206, China  
Tel: +86 21 2892 9499

For further information visit [www.fisherregulators.com](http://www.fisherregulators.com)

The Emerson logo is a trademark and service mark of Emerson Electric Co. All other marks are the property of their prospective owners. Fisher is a mark owned by Fisher Controls International LLC, a business of Emerson Process Management.

*The contents of this publication are presented for informational purposes only, and while every effort has been made to ensure their accuracy, they are not to be construed as warranties or guarantees, express or implied, regarding the products or services described herein or their use or applicability. We reserve the right to modify or improve the designs or specifications of such products at any time without notice.*

Emerson Process Management Regulator Technologies, Inc. does not assume responsibility for the selection, use or maintenance of any product. Responsibility for proper selection, use and maintenance of any Emerson Process Management Regulator Technologies, Inc. product remains solely with the purchaser.