

FEATURES

- Stainless Steel filter/regulator intended for corrosive environment and suitable for use in potentially explosive atmosphere caused by gases, vapours, mists and / or dust according to: (ATEX directive 94/9/EC).
- SAFETY CODE:**
 - II 2GD c IIC T100°C (T5), with 80°C ambient temperature
 - II 2GD c IIC T85°C (T6), with 75°C ambient temperature
- (ZONE 1-21) Explosion group IIC
- Functional Safety: IEC 61508, SIL certified
- Compliance with the essential health and safety requirements has been assured with European Standards **EN13643-1** and **EN13643-5**
- All internal metal parts in 316 stainless steel, Elastomers in low temperature FPM
- Built-in overpressure relieving function (OPTION)
- Moisture removal by centrifugation of the air, 5 and 25 microns filtering element
- Large operating temperature -40°C to +80°C (-50°C option available)
- Body, bonnet and internal metal parts in stainless steel according to ASTM A351/NACE MR 01.75



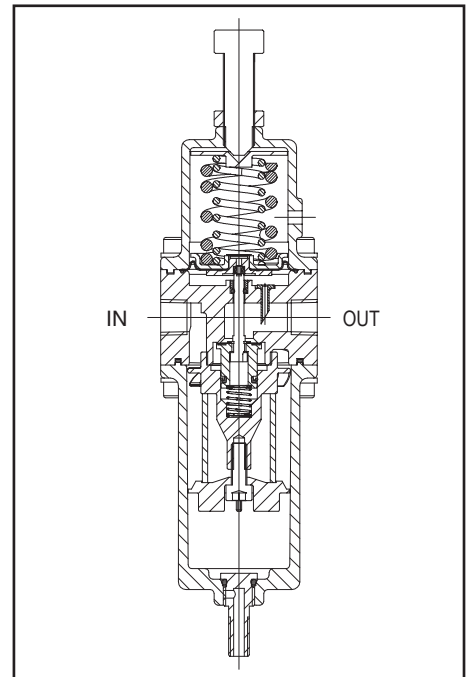
GENERAL

Fluids	Compressed air, neutral and sour gas
Ports	1/4 NPT and 1/2 NPT
Maximum inlet pressure	20 bar (for manual drain)
Adjustable pressure	0,5 - 10 bar [1 bar = 100 kPa]
Hysteresis	< 0,2 bar
Filtering size	25µm & 5µm
Ambient temperature	-40°C to +80°C*
Maximum flow	Set pressure at 6,3 bar (inlet pressure at 20 bar) see specifications table

CONSTRUCTION

Body	AISI 316 SS
Bowl	AISI 316 SS
Filtering element	AISI 316 SS
Diaphragm & elastomers	Reinforced LT FPM
Condensate drain	Manual drain, Auto drain as option
Pressure adjusting screw	Hexagon head screw with locking nut

* -50°C low temperature option is available on request.



SPECIFICATIONS

port pize	bowl capacity (cm ³)	filtering capacity (µm)	adjustable pressure (bar)	maximum flow inlet pressure at 20 bar 6,3 bar pressure setpoint and ΔP of 1 bar/setpoint		catalogue number FILTER / REGULATOR		spare parts kits catalogue number
				l/min. (ANR)	dm ³ /s (ANR)	gauge connection NPT	without pressure gauge	
25µm filtration 0,5 - 10 bar adjustment								
1/4	98	25	0,5-10	2450 ⁽¹⁾	41	1/4	342A8401	C325305
1/2	98	25	0,5-10	4430 ⁽²⁾	74	1/4	342A8403	C325306
5µm filtration 0,5 - 10 bar adjustment								
1/4	98	5	0,5-10	2380 ⁽³⁾	40	1/4	342A8405	C325307
1/2	98	5	0,5-10	3920 ⁽⁴⁾	65	1/4	342A8407	C325308

⁽¹⁾ KV = 2,27 [m³/hr], 37,88 [l/min]
⁽²⁾ KV = 4,11 [m³/hr], 68,50 [l/min]

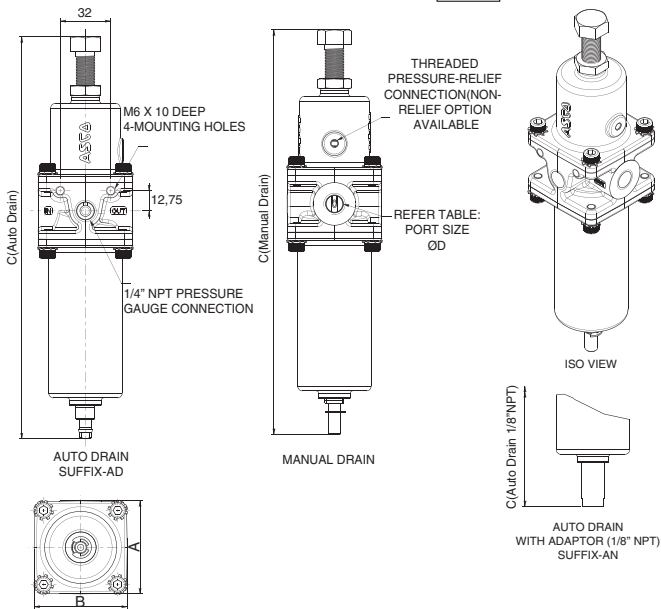
⁽³⁾ KV = 2,21 [m³/hr], 36,80 [l/min]
⁽⁴⁾ KV = 3,63 [m³/hr], 60,62 [l/min]

Spare parts kits include: O-rings, diaphragm assembly, filter element, & poppet valve assembly

ORDERING EXAMPLES

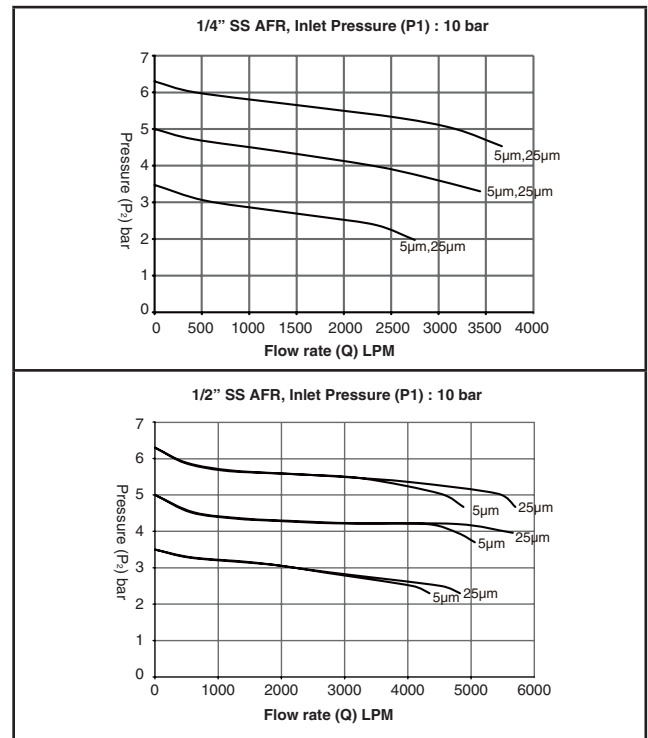
342						Series		
A						Change Letter		
8						Relief / Vent Hole		
0	Non relief					NACE compliant		
2	ØM5 thread							
4	Ø1/8" NPT thread							
0	None					Filtration Port size		
2	Yes							
	25 micron							
1	1/4" NPT					Optional		
3	1/2" NPT							
	5 micron							
5	1/4" NPT							
7	1/2" NPT							
Suffix Table								
1	2	3	4	5	Description			
AD					Autodrain with hose connection			
	AN				Autodrain with NPT threaded connection			
		LT			Low temperature: - 50° C			
			G		Stainless steel pressure gauge			
				MB	Stainless steel mounting bracket			
342	A	8	4	0	1	G	MB	ORDERING EXAMPLES

DIMENSIONS(mm), WEIGHT(kg)



ØD	A	B	C (manual drain)	C (auto drain)	C (auto drain 1/8" NPT)	weight
1/4" NPT	60	60	256	254,1	261,3	1,60 kg
1/2" NPT	60	65				

PRESSURE DROP vs. AIR FLOW CURVE



ADDITIONAL OPTIONS

- Other sizes of pressure relief connection available on request
- Stainless steel pressure gauge (0-12 bar gauge / 0-10 bar gauge) option. Kit number C325 316
- Stainless steel pressure gauge (-50°C low temp) option. Kit number C325 667
- Auto drain - Maximum inlet pressure is 10 bar
- Auto drain operating pressure is 2,5 - 10 bar, operating temperature is 0 to +60°C
- For auto drain - All metal parts are made of 316 SS. Elastomers are in LT FPM material. Float is of PP material

INSTALLATION

- Installation / Maintenance instructions are included with each filter/regulator
- Air flow direction indicated by IN/OUT as well as inlet & outlet indicators
- Pipe connection has standard thread according to NPT (ANSI 1.20.3)

MOUNTING BRACKET

